

**PRODUCT CODE: LP2G**  
LOOP IN BOX



**DESCRIPTION**

Two Hole Loop In Box

**FINISH**

BZP

**MATERIAL**

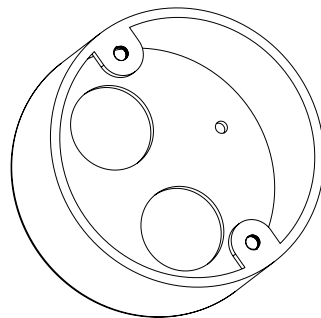
Mild Steel

**PACKAGING**

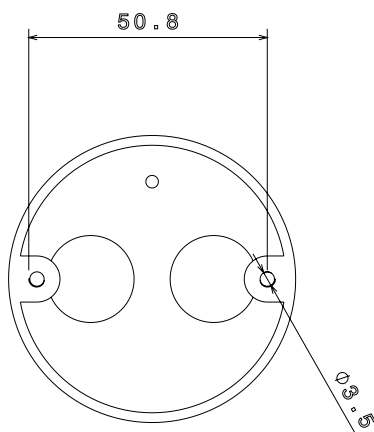
Packed in qty 10

**ADDITIONAL NOTES**

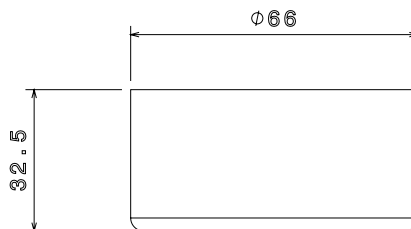
Conforms to BS EN61386-1  
Contains 2 x 20mm loopin holes



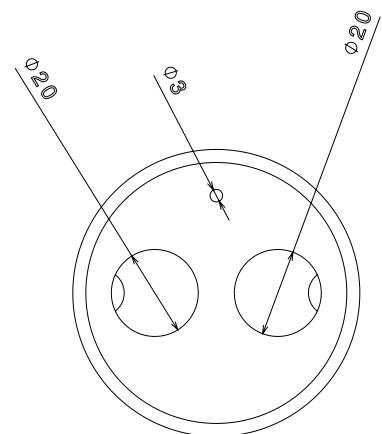
Isometric view



Top view



side view



Bottom view